



Description

1. live-loaded, selfadjusting primary and secondary sealing.
2. Utilizing belleville washers,the stem seal automatically adjusts to compensate for changes in temperature and normal wear.
3. The balls are precision machined and mirror finished for bubbletight shut off and less operating torque.
4. 1/2”– 4” valve bodies are investment cast and solution annealed/normalized for the highest quality and added strength. All body castings are marked with a foundry heat number for full traceability.
5. All resilient seats feature relief slots or seat O.D. clearance to relieve pressure past the upstream seat, and positive preloading to ensure low pressure/vacuum sealing.

Selection of possible applications

Soap, Irrigation, Effluent, Light Oils, Solids Handling, Agriculture, Filtration, Light Slurries, Sump Drain Off, Air Pollution, Fine Chemicals, Low Pressure Safety Injection, Synthetic Fuels, Aromatics, Fuel, Low Shear Services, Tank Farm Transfer, CO2 Injection, General Processing Industry, Metal and Steel Industry, Toxic Services, Car Wash, General Purpose, Mineral Processing, Utility, Chemical Processing, Greases and Fats, Mining, Valuable Liquids, Commercial, Heat Exchangers, Municipal, Waste Processing, Condensate,etc.

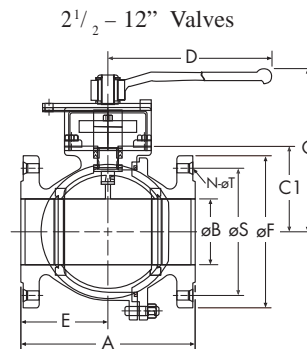
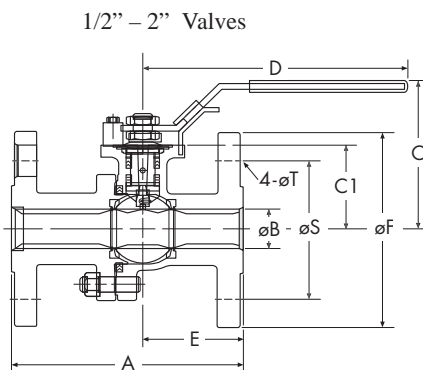
Selection of possible flow media

Steam,air,water,oil,other fluid ,etc.

MODEL BF15 Class 150

Dimensions and Weights

Size Ins mm	A	ΦB	C	C1	D	E	ΦF	N	ΦS	ΦT	Cy	Torque Lbs-in Nm	Weight Lbs kg
1/2	425	059	260	154	650	179	350	4	238	062	32	36	4
15	10795	1499	6604	3912	16510	4547	8890	4	6045	1575	32	2	2
3/4	462	079	291	167	650	201	388	4	275	062	60	65	6
20	11735	2007	7391	4242	16510	5105	9855	4	6985	1575	60	4	3
1	500	098	343	205	787	213	425	4	312	062	105	95	8
25	12700	2489	8712	5207	19990	5410	10795	4	7925	1575	115	7	4
1½	650	149	423	260	984	276	500	4	388	062	275	230	15
40	16510	3785	10744	6604	24994	7010	12700	4	9855	1575	275	16	7
2	700	197	453	295	1043	307	600	4	475	075	500	390	20
50	17780	5004	11506	7493	26492	7798	15240	4	12065	1905	500	27	9
2½	750	256	622	339	1535	308	700	4	550	075	780	500	36
65	19050	6502	15799	8611	38989	7823	17780	4	13970	1905	870	34	16
3	800	299	654	366	1535	374	750	4	600	075	1,150	650	45
80	20320	7595	16612	9296	38989	9500	19050	4	15240	1905	1,160	45	20
4	900	399	720	439	1535	447	900	8	750	075	2100	1505	75
100	22860	10135	18288	11151	38989	11354	22860	8	19050	1905	2,100	104	34
6	1550	598	1122	717	1535	762	1100	8	950	088	5000	3250	135
150	39370	15189	28499	18212	99009	19355	27940	8	24130	2235	5,000	224	61
8	1800	787	1272	760	3898	835	1350	8	1175	088	9600	4750	290
200	45720	19990	32309	19304	99009	21209	34290	8	29845	2235	9,800	328	132
10	2100	984	1370	988	3898	1047	1600	12	1425	100	15000	13700	500
250	53340	24994	34798	25095	99009	26594	40640	12	36195	2540	15,000	945	227
12	2400	1181	1528	1146	3898	1201	1900	12	1700	100	21000	19700	700
300	60960	29997	38811	29108	99009	30505	48260	12	43180	2540	21,000	1,399	318

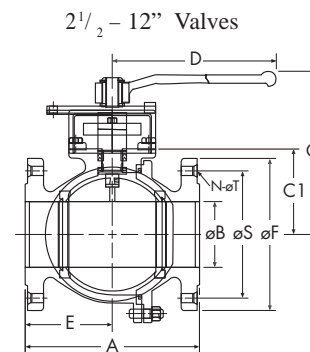
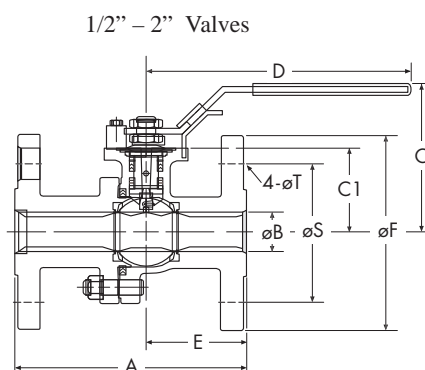


NOTE 1

MODEL BF30 Class 300

Dimensions and Weights

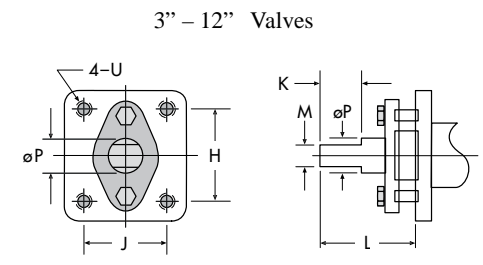
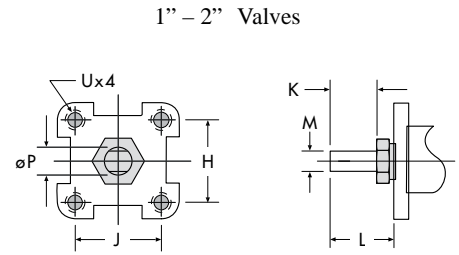
Size Ins mm	A	ΦB	C	C1	D	E	ΦF	N	ΦS	ΦT	Cy	Torque Lbs.in Nm	Weight Lbs.kg
1/2 15	5.50 139.70	0.59 14.99	2.60 66.04	1.57 39.88	650 165.10	244 61.98	375 95.25	4	262 66.55	062 15.75	32 32	40 3	5 2
3/4 20	6.00 152.40	0.79 20.07	2.91 73.91	1.67 42.42	650 165.10	272 69.09	462 117.35	4	325 82.55	075 19.05	60 60	70 5	7 3
1 25	6.50 165.10	0.98 24.89	3.43 87.12	2.05 52.07	787 199.90	291 73.91	488 123.95	4	350 88.90	075 19.05	105 115	108 7	10 5
1½ 40	7.50 190.50	1.49 37.85	4.23 107.44	2.60 66.04	984 249.94	327 83.06	612 155.45	4	450 114.30	088 22.35	275 275	270 19	19 9
2 50	8.50 215.90	1.97 50.04	4.53 115.06	2.95 74.93	1043 264.92	394 100.08	650 165.10	8	500 127.00	075 19.05	500 500	445 31	33 15
2½ 65	9.50 241.30	2.56 65.02	6.22 157.99	3.39 86.11	1535 389.89	418 106.17	750 190.50	8	588 149.35	088 22.35	780 870	600 41	50 23
3 80	11.12 282.45	2.99 75.95	6.54 166.1 2	3.72 94.49	1535 389.89	557 141.48	825 209.55	8	662 168.15	088 22.35	1,150 1,160	850 59	68 31
4 100	12.00 304.80	3.99 101.35	7.20 182.88	4.35 110.49	1535 389.89	596 151.38	1000 254.00	8	788 200.15	088 22.35	2,100 2,100	2,600 179	96 44
6 150	15.88 403.35	5.98 151.89	11.22 284.99	7.19 182.63	1535 990.09	760 193.04	1250 317.50	12	1062 269.75	088 22.35	5,000 5,000	5,300 366	230 104
8 200	19.75 501.65	7.87 199.90	12.72 323.09	8.64 219.46	3898 990.09	933 236.98	1500 381.00	12	1300 330.20	100 25.40	9,600 9,800	7,600 524	430 195
10 250	22.38 568.45	9.84 249.94	13.70 347.98	9.69 246.13	3898 990.09	1118 283.97	1750 444.50	16	1525 387.35	1.12 28.45	15,000 15,000	17,800 1,228	610 277
12 300	25.50 647.70	11.81 299.97	15.28 388.11	11.26 286.00	3898 990.09	1280 325.12	2050 520.70	16	1775 450.85	1.25 31.75	21,000 21,000	24,800 1,710	950 431



NOTE 1

SECURE MOUNT

Size Ins mm	H	J	F0	BC DIA.	K	L	M	ΦP	U UNC
1/2 15	1.17 29.72	1.17 29.72	F04	1.65 41.9	0.31 7.87	0.55 13.97	0.25 6.35	0.37 9.40	#10-24
3/4 20	1.17 29.72	1.17 29.72	F04	1.65 41.9	0.31 7.87	0.55 13.97	0.25 6.35	0.37 9.40	#10-24
1 25	1.39 35.3	1.39 35.3	F05	1.97 50.0	0.43 10.92	0.75 19.05	0.31 7.87	0.43 10.92	1/4 - 20
1½ 40	1.95 49.5	1.95 49.5	F07	2.76 70.10	0.55 13.97	0.91 23.11	0.37 9.4	0.62 15.75	5/16 司 18
2 50	1.95 49.5	1.95 49.5	F07	2.76 70.10	0.55 13.97	0.91 23.11	0.37 9.4	0.62 15.75	5/16-18
2½ 65-100	3.54 89.9	1.87 47.5	F10	-	1.75 44.15	3.07 78	0.67 17.02	1.10 27.94	1/2 - 13
6 150	3.54 89.9	3.37 85.6	F12	4.77 121.16	1.61 40.89	3.42 86.8	1.02 25.9	1.71 43.42	1/2 - 13
8 200	3.54 89.9	3.37 85.6	F12	4.77 121.16	2.13 50.1	3.86 98.04	1.02 25.9	1.71 43.42	1/2 - 13
10-12 250-300	4.53 115	4.53 115	F16	6.4 162.56	2.16 54.86	3.74 95	1.38 35.05	1.97 50.0	5/8 - 11



Size and connections

DN25-300 EN 1092PN16, PN25,PN40:

Flanged End Connections meet ASME Class 150/300.

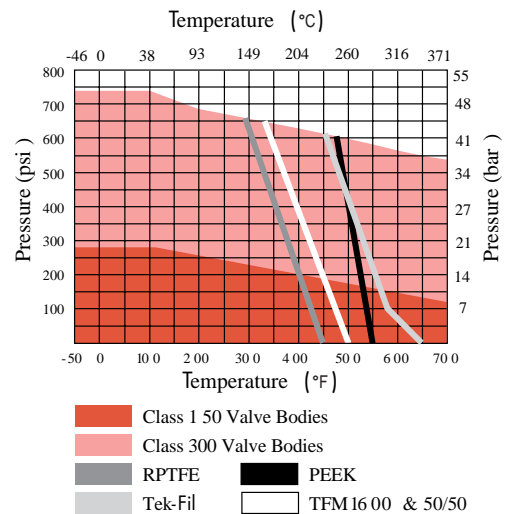
Flanges meet ASME B16.5.

Face to Face Dimensions meet ASME B16.10 short pattern.

All valves meet ASME B16.34, MSS-SP-72 and API 608.

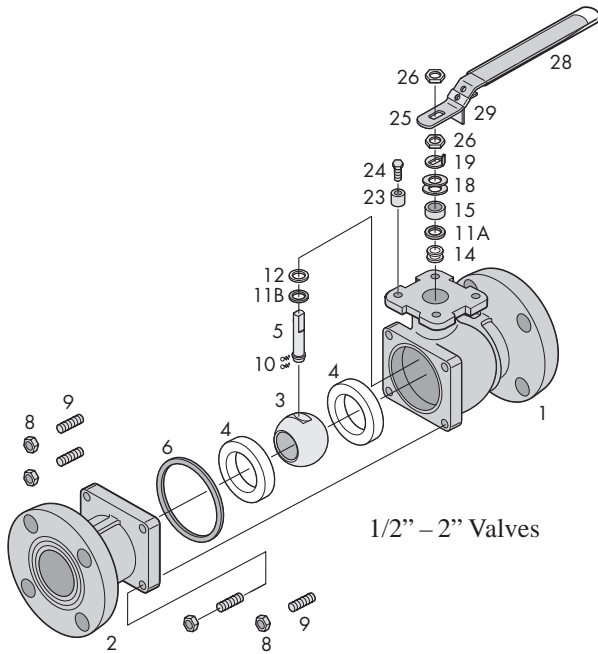
Fire Safe Valves with graphite Stem Packing are certified to API 607 4th Edition.

Temperature and Pressure limits

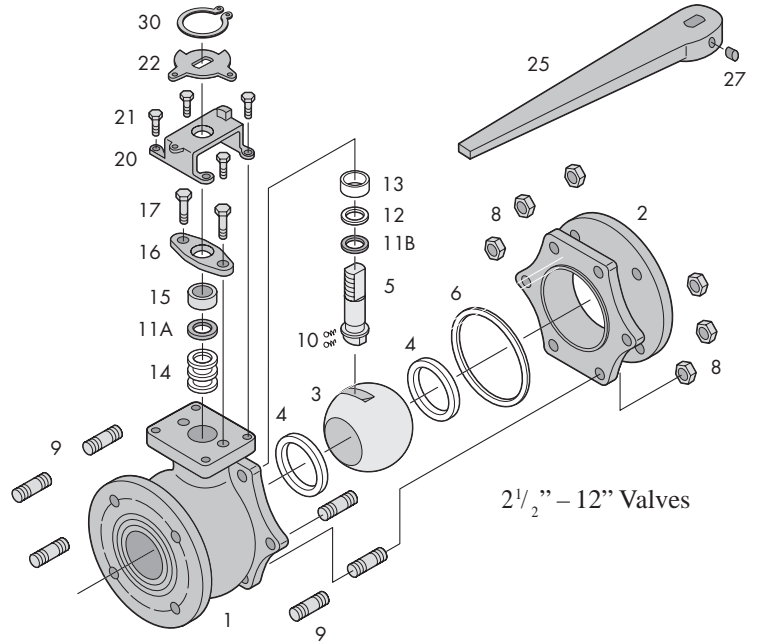


Note: Carbon Steel valves limited to -20°F.

Components & Materials
For Valve Sizes 1" through 12"



1/2" – 2" Valves



2 1/2" – 12" Valves

Item	Name	Stainless Steel	Carbon Steel	Qty.
1	Body	ASTM A351 Gr CF8M	ASTM A216 Gr WCB	1
2	End Cap	ASTM A351 Gr CF8M	ASTM A216 Gr WCB	1
3	Ball	ASTM A351 Gr CF8M	ASTM A351 Gr CF8M	1
4	Seat	TFM 1600	TFM 1600	2
5	Stem	ASTM A479 Gr 316	ASTM A479 Gr 316	1
6	Body Seal	RPTFE	RPTFE	1
10	Anti-Static Device	SS316	SS316	2
11A	Packing Protector	PEEK	PEEK	1
11B	Thrust Washer Protector	PEEK	PEEK	1
12	Thrust Washer	50% SS316 + 50% PTFE	50% SS316 + 50% PTFE	1
13	Stem Bearing	15% RPTFE	15% RPTFE	1
14	Stem Packing	RPTFE/Graphite	RPTFE/Graphite	3/1
15	Packing Gland Sleeve	SS304	Carbon Steel ¹	1
16	Packing Gland Plate	ASTM A351 Gr CF8	ASTM A216 Gr WCB	1
17	Gland Bolt	SS304	Carbon Steel	2
18	Belleville Washer	SS301	SS301	2
19	Tab Washer	SS304	SS304	1
20	Travel Stop Housing	ASTM A351 Gr CF8M	ASTM A216 Gr WCB	1
21	Housing Bolt	SS304	Carbon Steel	4
22	Travel Stop	SS304	Zinc Plated Carbon Steel	1
23	Travel Stop Set Sleeve	SS304	SS304	1
24	Travel Stop Bolt	SS304	SS304	1
25	Handle	Ductile Iron ²	Ductile Iron ²	1
26	Lock Nut	SS304	SS304	2
27	Handle Bolt	Carbon Steel	Carbon Steel	1
28	Handle Sleeve	Vinyl	Vinyl	1
29	Locking Device	SS304	SS304	1
30	Snap Ring	Nickel Plated Carbon Steel	Nickel Plated Carbon Steel	2